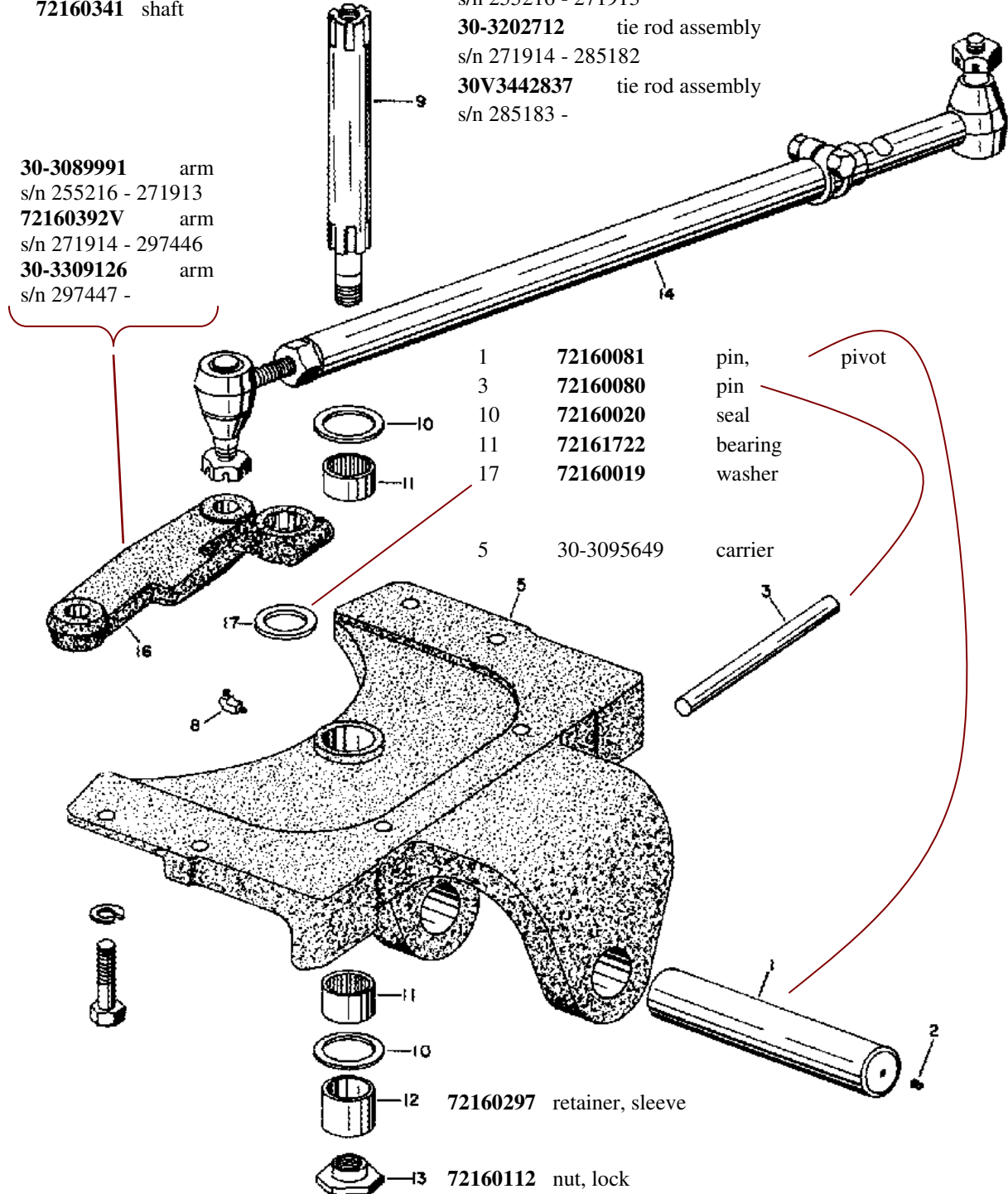


Adjustable Wide Front Axle

72160341 shaft

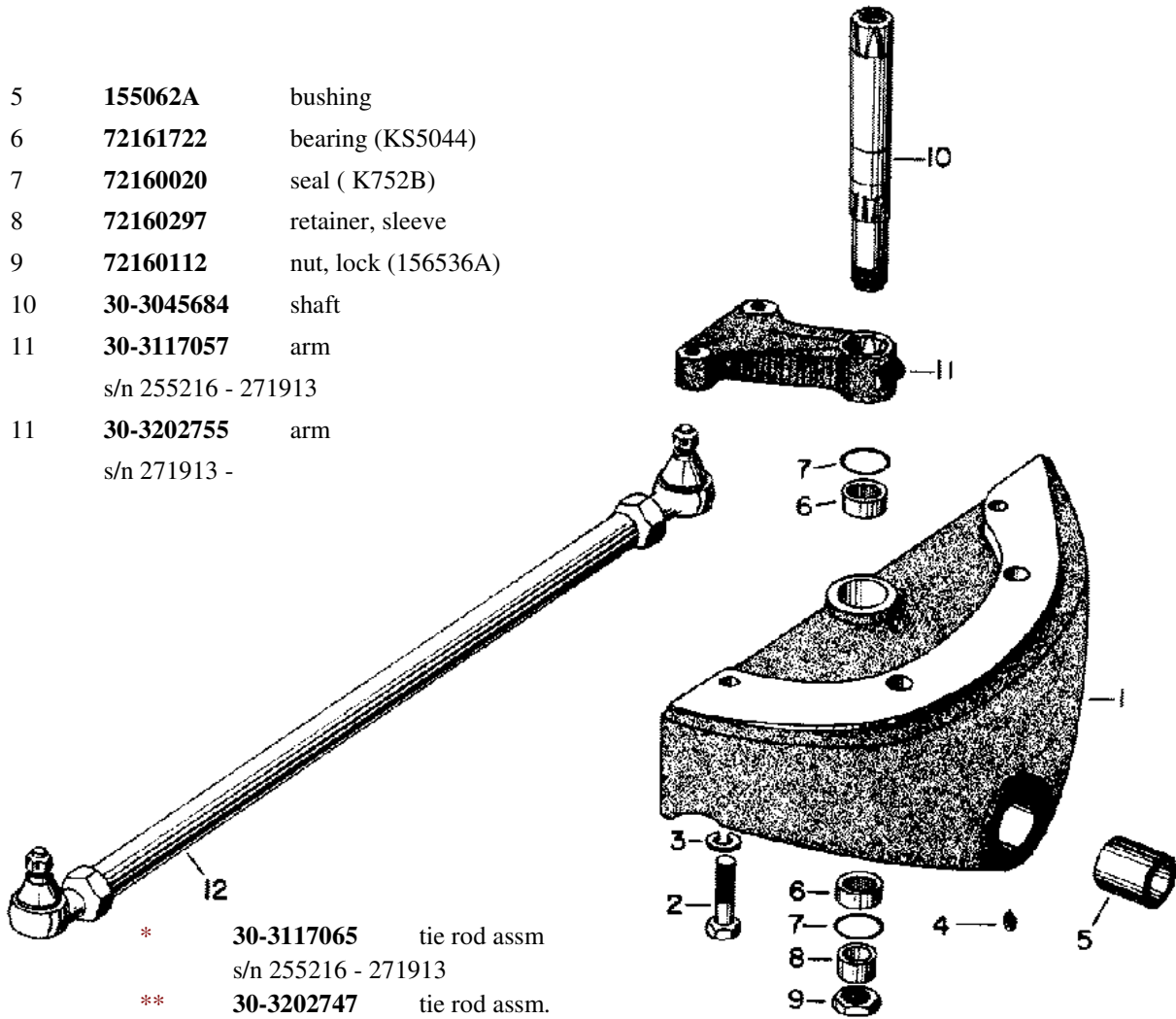
30-3089991 arm
s/n 255216 - 271913
72160392V arm
s/n 271914 - 297446
30-3309126 arm
s/n 297447 -

164210V tie rod assembly
s/n 255216 - 271913
30-3202712 tie rod assembly
s/n 271914 - 285182
30V3442837 tie rod assembly
s/n 285183 -



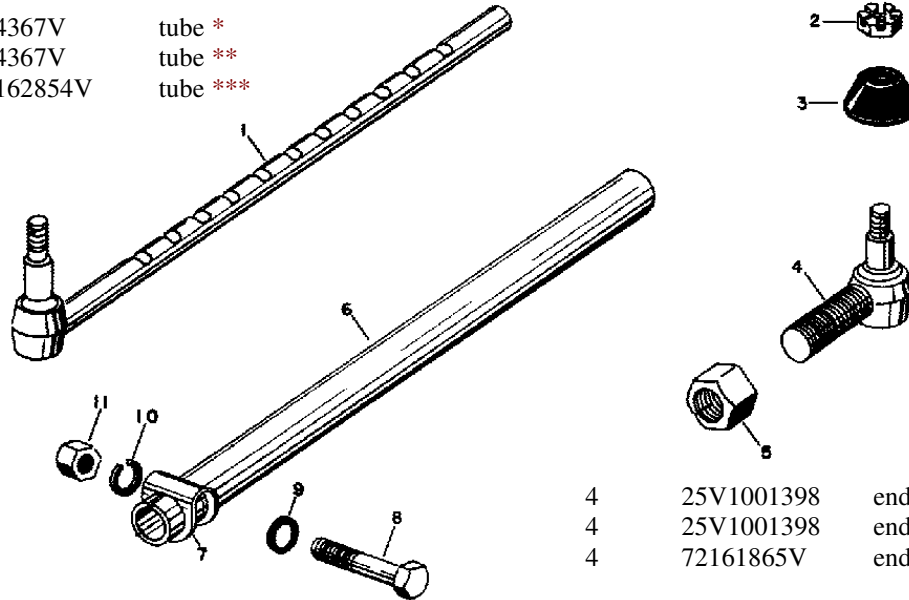
Wheatland Wide Front Axle

- 5 **155062A** bushing
 - 6 **72161722** bearing (KS5044)
 - 7 **72160020** seal (K752B)
 - 8 **72160297** retainer, sleeve
 - 9 **72160112** nut, lock (156536A)
 - 10 **30-3045684** shaft
 - 11 **30-3117057** arm
 s/n 255216 - 271913
 - 11 **30-3202755** arm
 s/n 271913 -
-
- * **30-3117065** tie rod assm
 s/n 255216 - 271913
 - ** **30-3202747** tie rod assm.
 s/n 271914 -



Adjustable Wide Front Axle

1	164365V	rod *	2	164371A	boot *
1	30V3211029	rod **	2	72161794	boot **
1	30V3443132	rod ***	2	72161794	boot ***
6	164367V	tube *	3	164368A	nut * 5/8
6	164367V	tube **	3	70918787	nut ** 3/4
6	72162854V	tube ***	3	70918787	nut *** 3/4



*	164210V	tie rod assm
**	30-3202712	tie rod assm.
***	30V3442837	tie rod assm.

4	25V1001398	end *
4	25V1001398	end **
4	72161865V	end ***
5	72161733	nut *
5	72161733	nut **
5	72161733	nut ***

Wheatland Wide Front Axle

2	164371A	boot *	
1	72161794	boot **	
2	164368A	nut * 5/8	
2	70918787	nut ** 3/4	
3	25-1001397	end * LH	
3	30-3109305	end ** LH	
4	30-3158268	nut LH	
5	30-3158276	tube *	
5	72161733	tube **	
6	72161733	nut	
7	25V1001398	end * RH	
7	72161865V	end ** RH	
*	30-3117065	tie rod assm	
**	30-3202747	tie rod assm.	