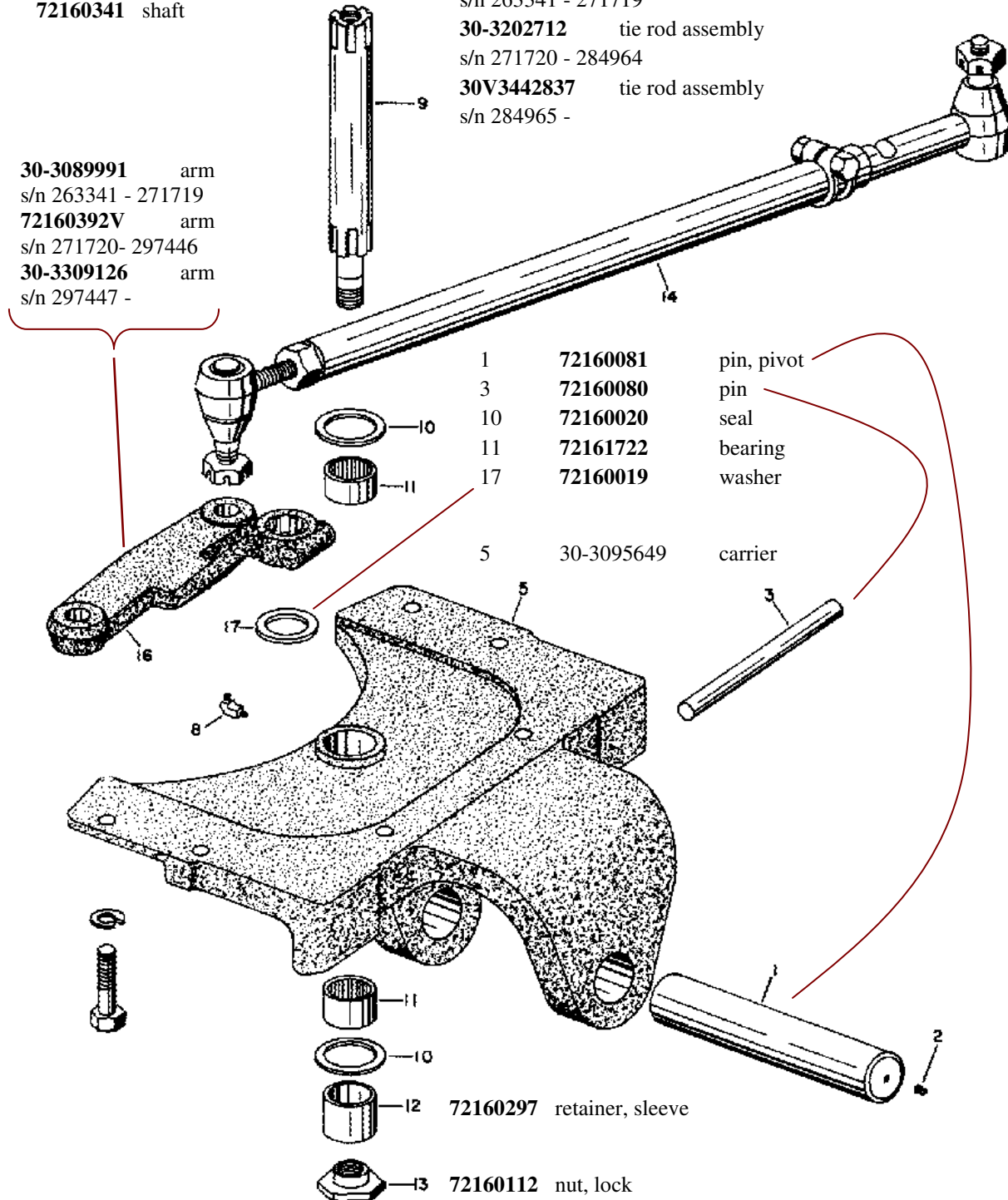


Adjustable Wide Front Axle

72160341 shaft

30-3089991 arm
s/n 263341 - 271719
72160392V arm
s/n 271720- 297446
30-3309126 arm
s/n 297447 -

164210V tie rod assembly
s/n 263341 - 271719
30-3202712 tie rod assembly
s/n 271720 - 284964
30V3442837 tie rod assembly
s/n 284965 -

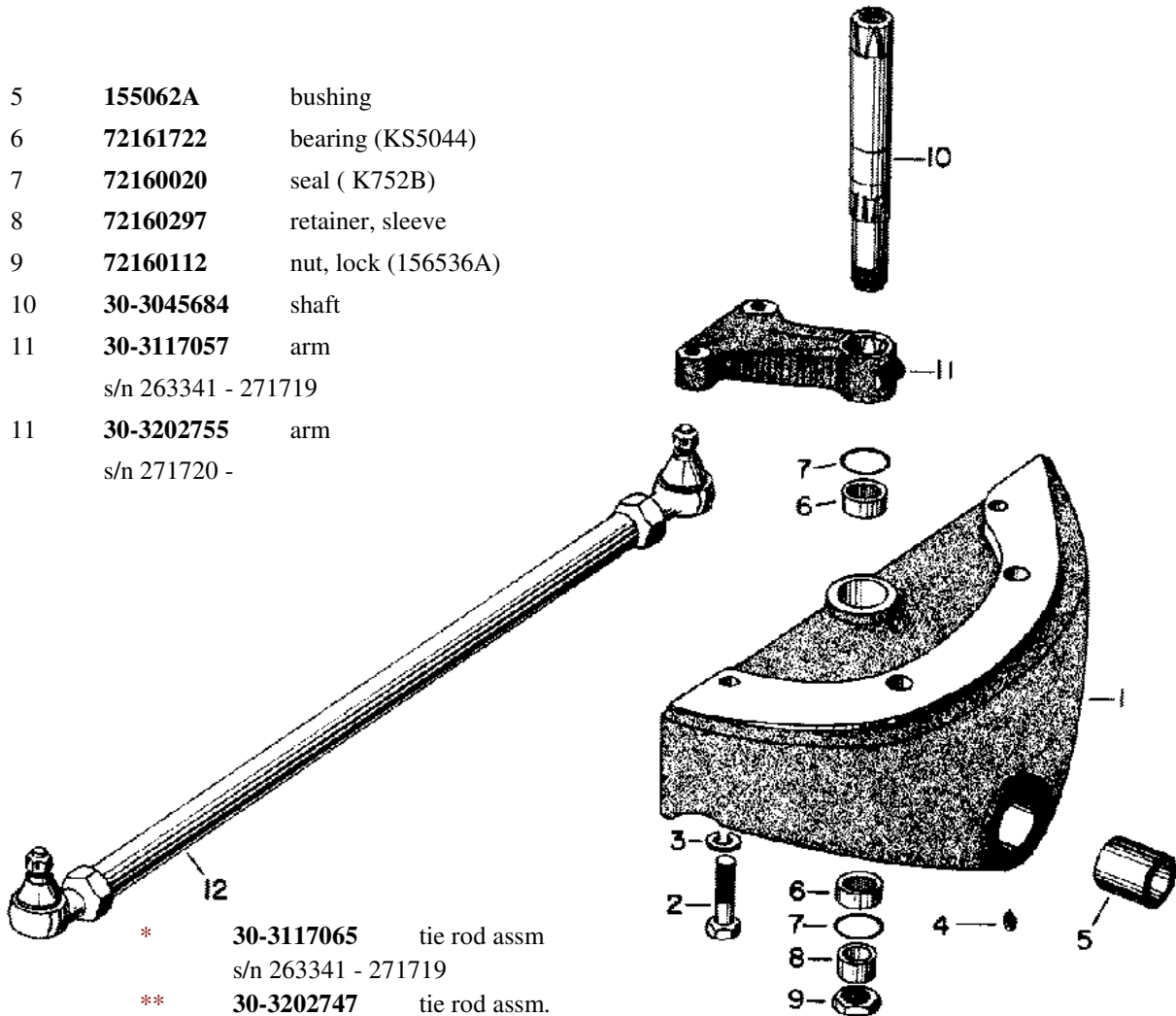


1 72160081 pin, pivot
3 72160080 pin
10 72160020 seal
11 72161722 bearing
17 72160019 washer
5 30-3095649 carrier

11 72160297 retainer, sleeve
10
12
13 72160112 nut, lock

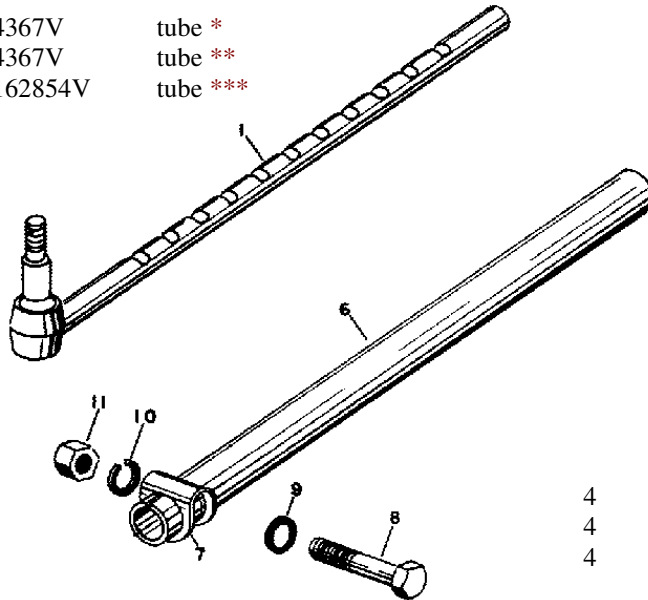
Wheatland Wide Front Axle

- | | | |
|----|---------------------|---------------------|
| 5 | 155062A | bushing |
| 6 | 72161722 | bearing (KS5044) |
| 7 | 72160020 | seal (K752B) |
| 8 | 72160297 | retainer, sleeve |
| 9 | 72160112 | nut, lock (156536A) |
| 10 | 30-3045684 | shaft |
| 11 | 30-3117057 | arm |
| | s/n 263341 - 271719 | |
| 11 | 30-3202755 | arm |
| | s/n 271720 - | |
-
- | | | |
|----|---------------------|---------------|
| * | 30-3117065 | tie rod assm |
| | s/n 263341 - 271719 | |
| ** | 30-3202747 | tie rod assm. |
| | s/n 271720 - | |

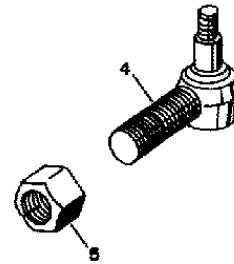
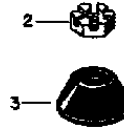


Adjustable Wide Front Axle

1	164365V	rod *
1	30V3211029	rod **
1	30V3443132	rod ***
6	164367V	tube *
6	164367V	tube **
6	72162854V	tube ***



2	164371A	boot *
2	72161794	boot **
2	72161794	boot ***
3	164368A	nut * 5/8
3	70918787	nut ** 3/4
3	70918787	nut *** 3/4

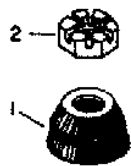
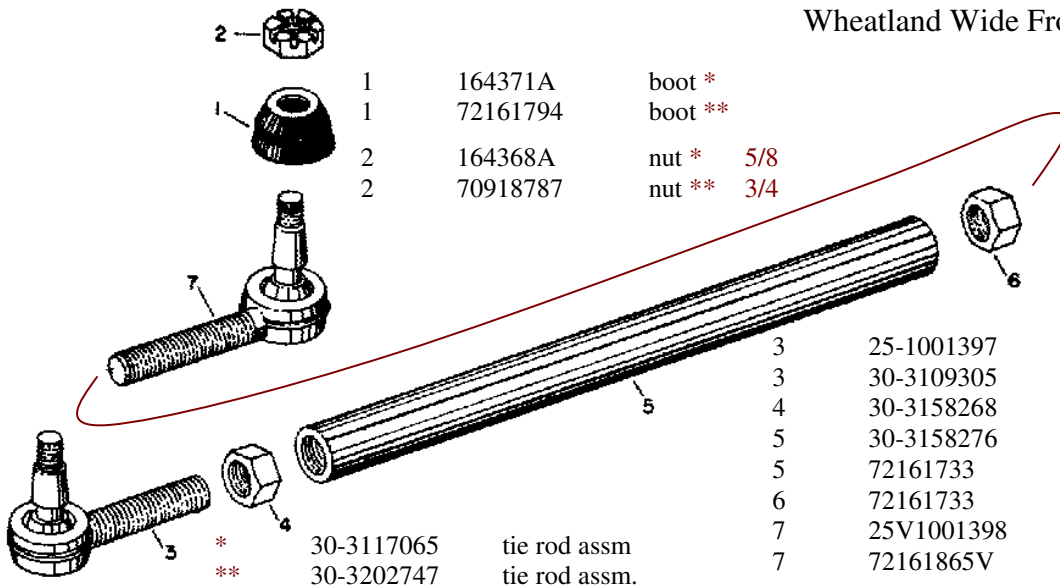


*	164210V	tie rod assm
**	30-3202712	tie rod assm.
***	30V3442837	tie rod assm.

4	25V1001398	end *
4	25V1001398	end **
4	72161865V	end ***
5	72161733	nut *
5	72161733	nut **
5	72161733	nut ***



Wheatland Wide Front Axle



1	164371A	boot *
1	72161794	boot **
2	164368A	nut * 5/8
2	70918787	nut ** 3/4

3	25-1001397	end * LH
3	30-3109305	end ** LH
4	30-3158268	nut LH
5	30-3158276	tube *
5	72161733	tube **
6	72161733	nut
7	25V1001398	end * RH
7	72161865V	end ** RH

*	30-3117065	tie rod assm
**	30-3202747	tie rod assm.